

BERMUDA XP®

Custom Architectural Metal Roofing and Wall Solution

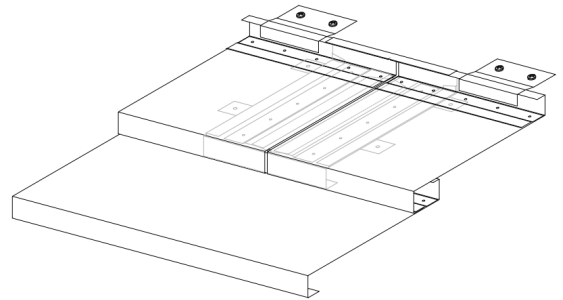
BERMUDA XP™ is the ultimate metal panel system designed for both roofing and wall applications. Transform any building with its versatile panel depths and orientations, creating dynamic façades with deep textures and dramatic shadows.



Milwaukee Art Museum Milwaukee, WI

Features and Benefits

Features	Benefits
Customizable Design	Tailored to match your aesthetic vision
Versatile Application	Perfect for straight slopes, barrel vaults, domes, and complex geometrical surfaces
Sustainability*	LCA, EPD and LEED information available upon request
Advanced Water Management	Internal drain channel ensures superior water diversion and protection
Warranty(s)	Enjoy peace of mind with multiple warranty options, available when you connect with the Overly team
Structural Design	Project-specific structural design calculations provided upon request



Bermuda XP Isometric Section



St. Bernards Parish Cultural Arts Center Chalmette, LA

**Reports and Testing are not applicable to all substrates, materials, and dimensions. Refer to Overly for verification.*

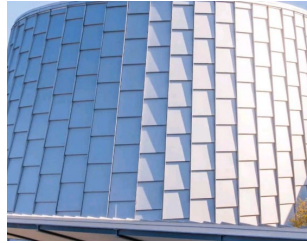
Materials and Sizes

Material	Minimums	Maximums	Panel Thickness	Finishes
Aluminum	Step Height: 3/4" Panel Length: 12" Panel Width: 1'-0"	Step Height: 6" Panel Length: 36" Panel Width: 5'-0"	0.040" (18ga) 0.080" (12ga)	Mill, Painted, Embossed
Stainless Steel	Step Height: 3/4" Panel Length: 12" Panel Width: 1'-0"	Step Height: 6" Panel Length: 36" Panel Width: 5'-0"	0.024" (24ga) 0.048" (18ga)	Grade 1 (Mill)
Copper	Step Height: 3/4" Panel Length: 12" Panel Width: 1'-0"	Step Height: 6" Panel Length: 36" Panel Width: 5'-0"	0.027" (20oz) 0.032" (24oz)	Cold Rolled, Lead Coated, Pre- weathered, Embossed
Zinc	Step Height: 3/4" Panel Length: 12" Panel Width: 1'-0"	Step Height: 6" Panel Length: 36" Panel Width: 5'-0"	0.024" (0.6 mm) 0.060" (1.5 mm)	2B, 2D, #4, Dull Matte
Titanium	Step Height: 3/4" Panel Length: 12" Panel Width: 1'-0"	Step Height: 6" Panel Length: 36" Panel Width: 5'-0"	0.018" (26ga) 0.024" (24ga)	Grade 1 (Available in Mill & Matte finishes)

**Maximum parameters vary depending on sub-base composition, structure design, wind load analysis, material type, material gauge, etc.*



Texas State History Museum, Austin, TX



St. Bernards Parish Cultural Arts Center, Chalmette, LA



Ronald Reagan National Airport, Washington DC



Sacred Heart Cathedral, Houston, TX



E: overlyestimating@ecmsinc.net

T: 681-327-2445

Every effort has been made to ensure accuracy, but Overly Panel Systems by East Coast Metal Systems makes no guarantees and accepts no responsibility for errors or for information found to be inaccurate in this publication. Usage suggestions are for informational purposes only and may change without notice. The customer is solely responsible for determining product suitability for its intended purpose and use, and compliance with applicable laws, and Overly Panel Systems by East Coast assumes no liability in connection therewith.

Proudly Fabricated in WV
Free Estimates
Detailed Quotes
Fully Customized Materials

